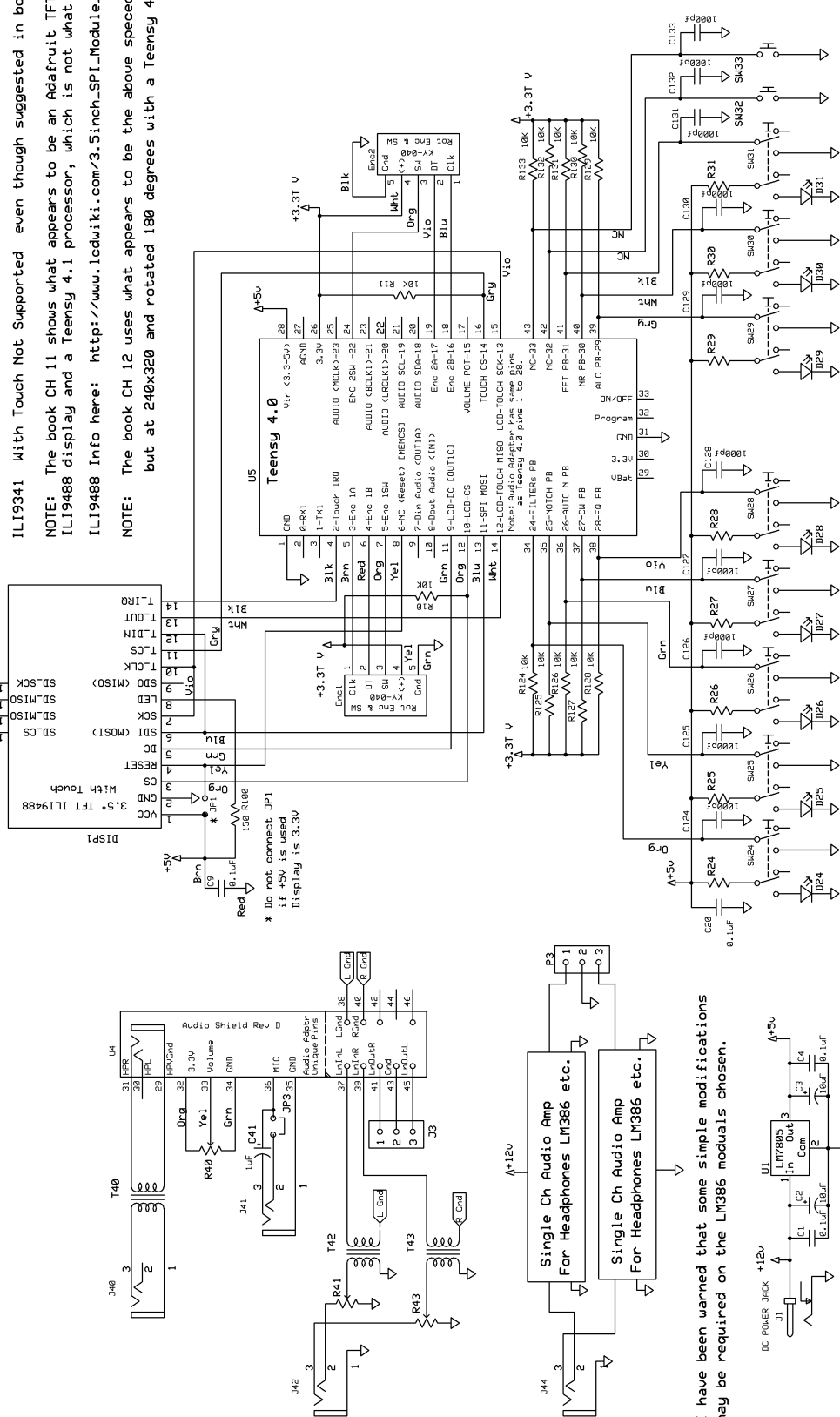


NOTE: IL19488 has an internal regulator to drop the 5V to 3.3
By using 5V the Teensy 4.0 does not need to power the display

IL19341 With Touch Not Supported even though suggested in book !

NOTE: The book CH 11 shows what appears to be an Adafruit TFT 380x420
IL19488 display and a Teensy 4.1 processor, which is not what is used here.
IL19488 Info here: http://www.lcdwiki.com/3.5inch_SPI_Module_IL19488_SKU:MSP3520

NOTE: The book CH 12 uses what appears to be the above specced IL19488
but at 240x320 and rotated 180 degrees with a Teensy 4.0



This is an overall system diagram that can be used for a Pre or Post Processor

Please refer to the other schematics for detailed wiring diagrams with connectors.

These documents are based upon "Microcontroller Projects for Amateur Radio" Ch 11 & 12.

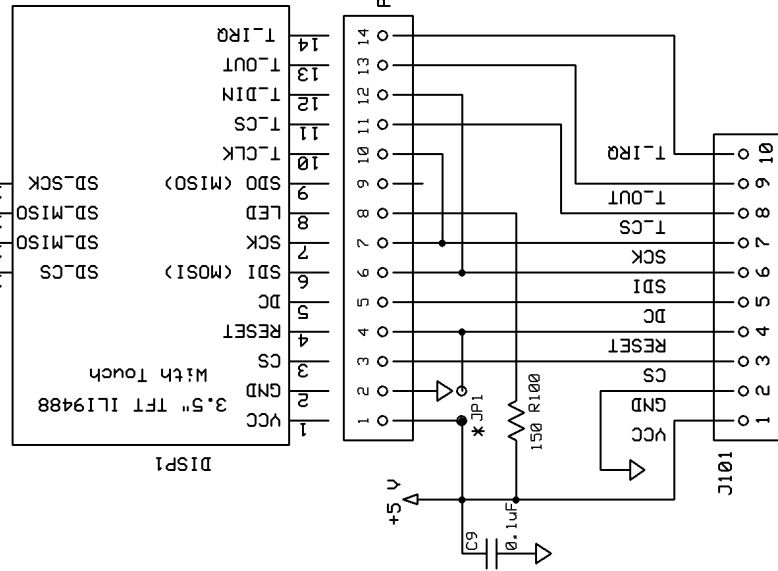
Please be aware that there are significant errors in Ch 11 & 12 regarding both hardware and software.

At this time, I believe that this schematic reflects a hardware system that is functional.

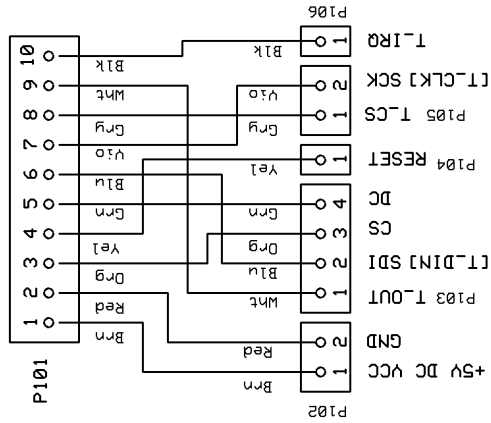
Presently the software needs more work and is not verified to be completely functional.

CH 11 display does not match the book & CH 12 requires repositioning of some screen windows.

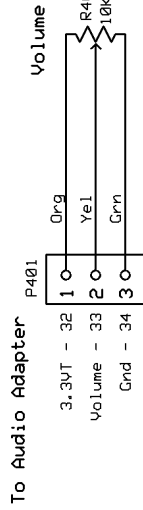
NOTE: ILI9488 has an internal regulator to drop the 5V to 3.3
 By using 5V the Teensy 4.0 does not need to power the display



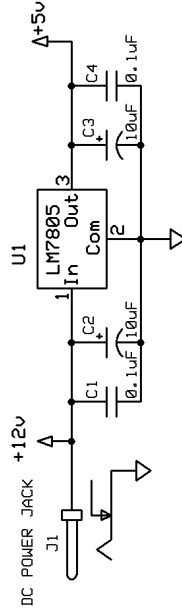
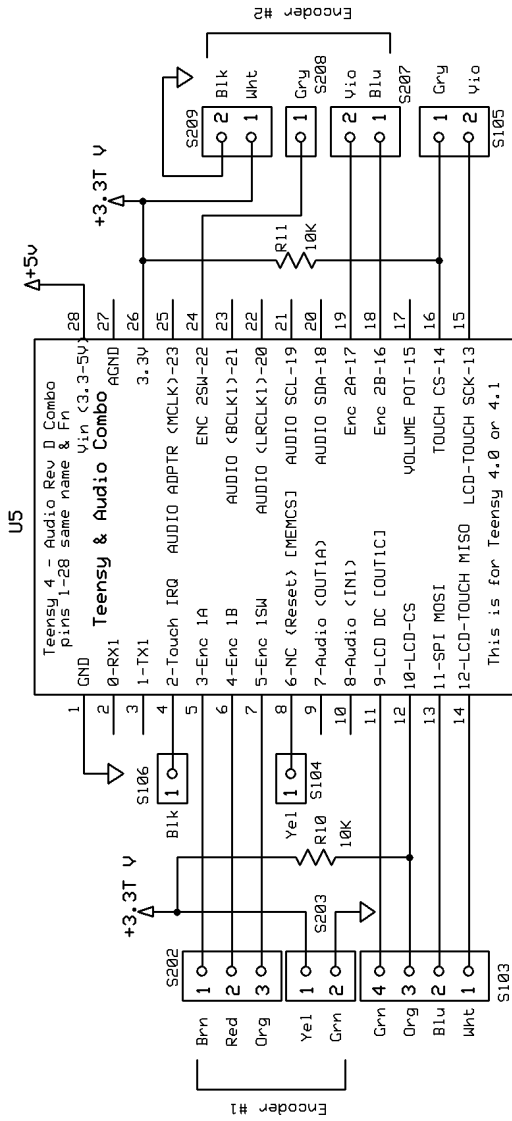
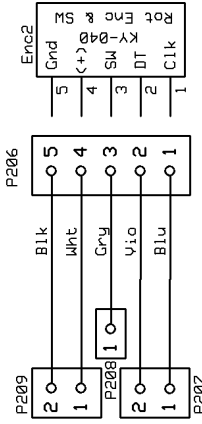
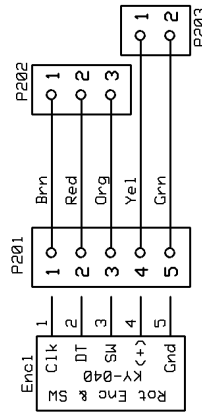
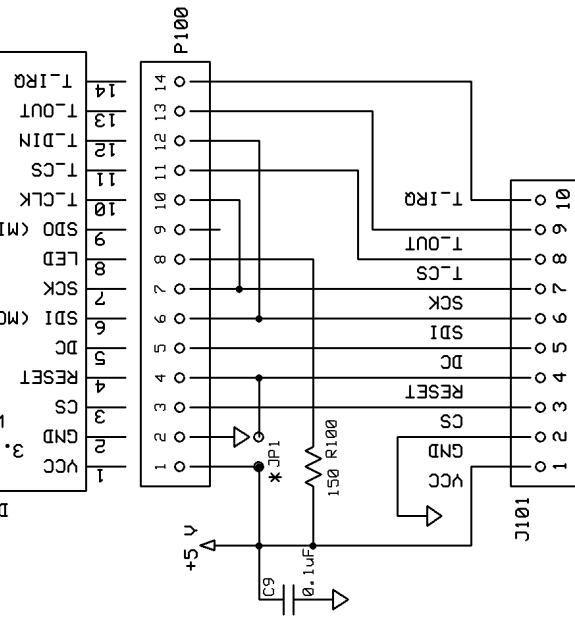
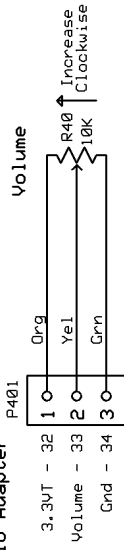
* Do Not connect JPI if +5 Volts is used



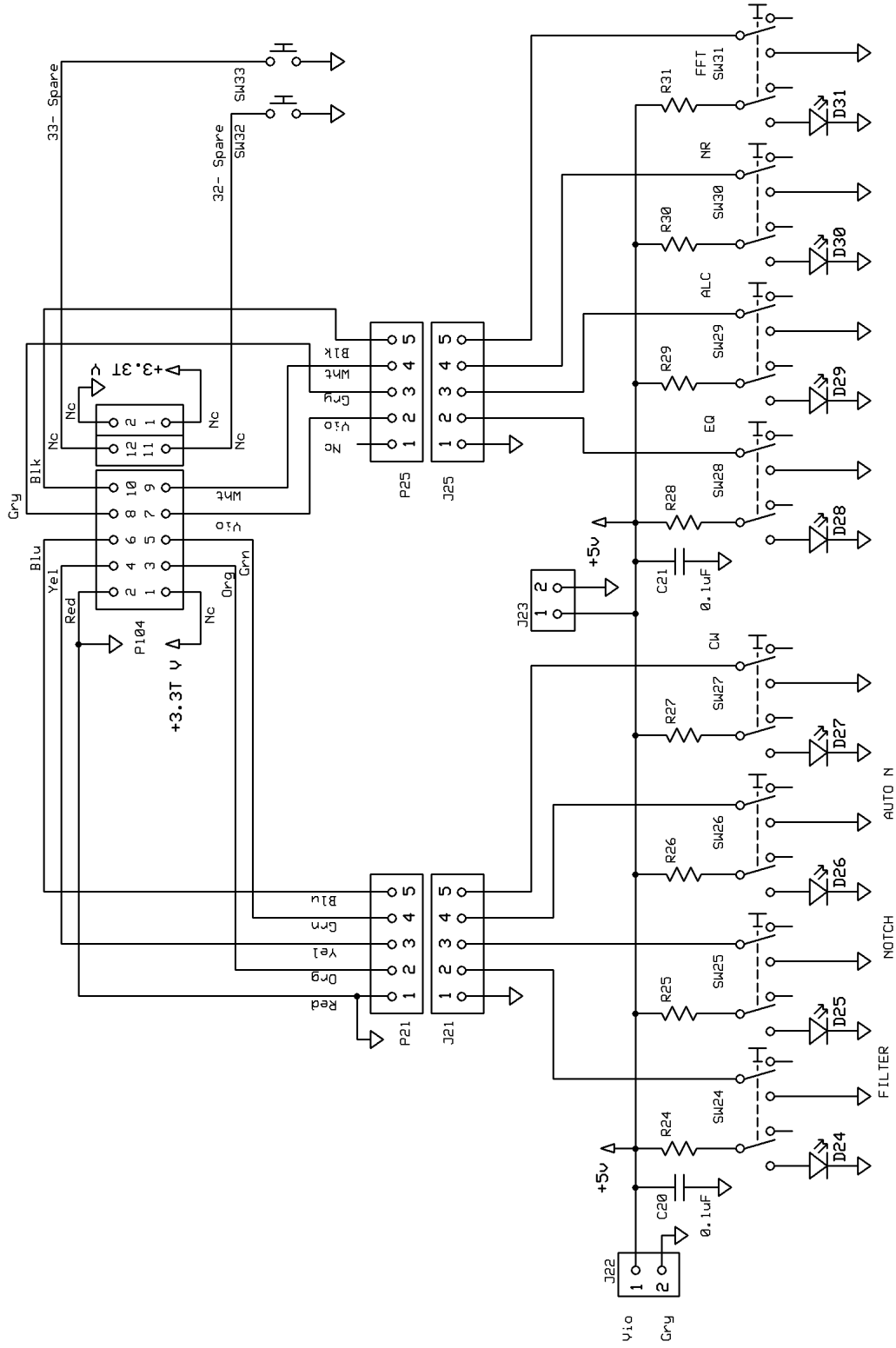
ILI9341 With Touch Not supported

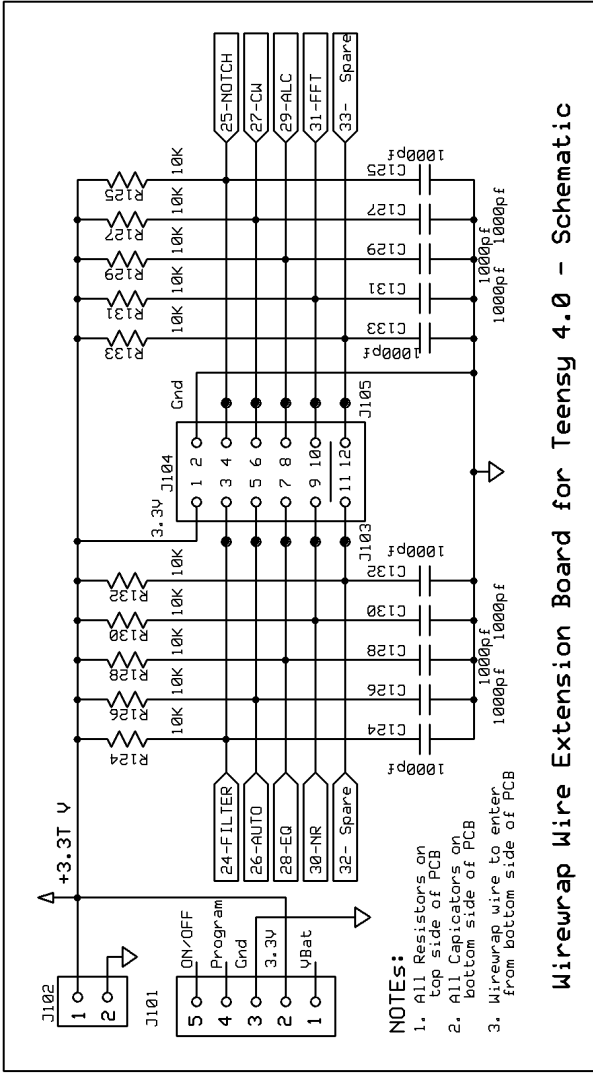
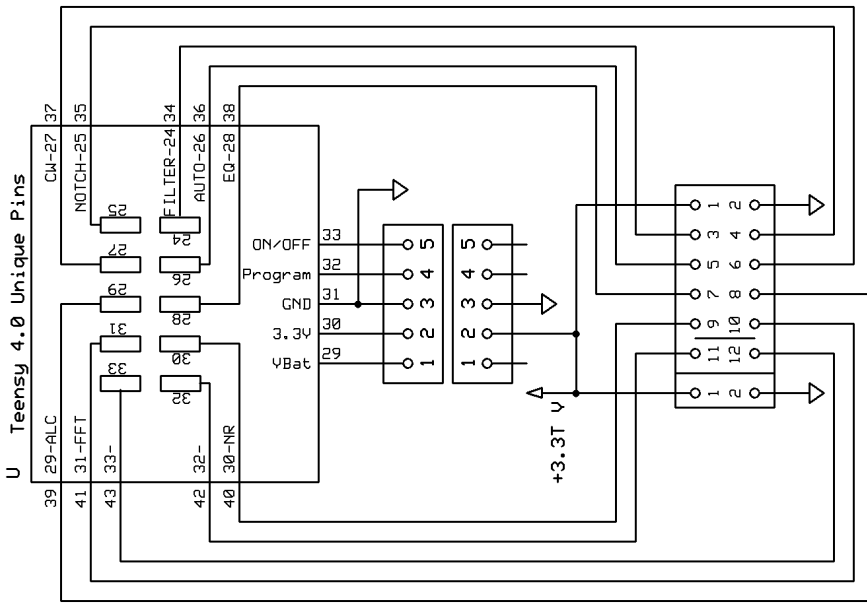


To Audio Adapter P401

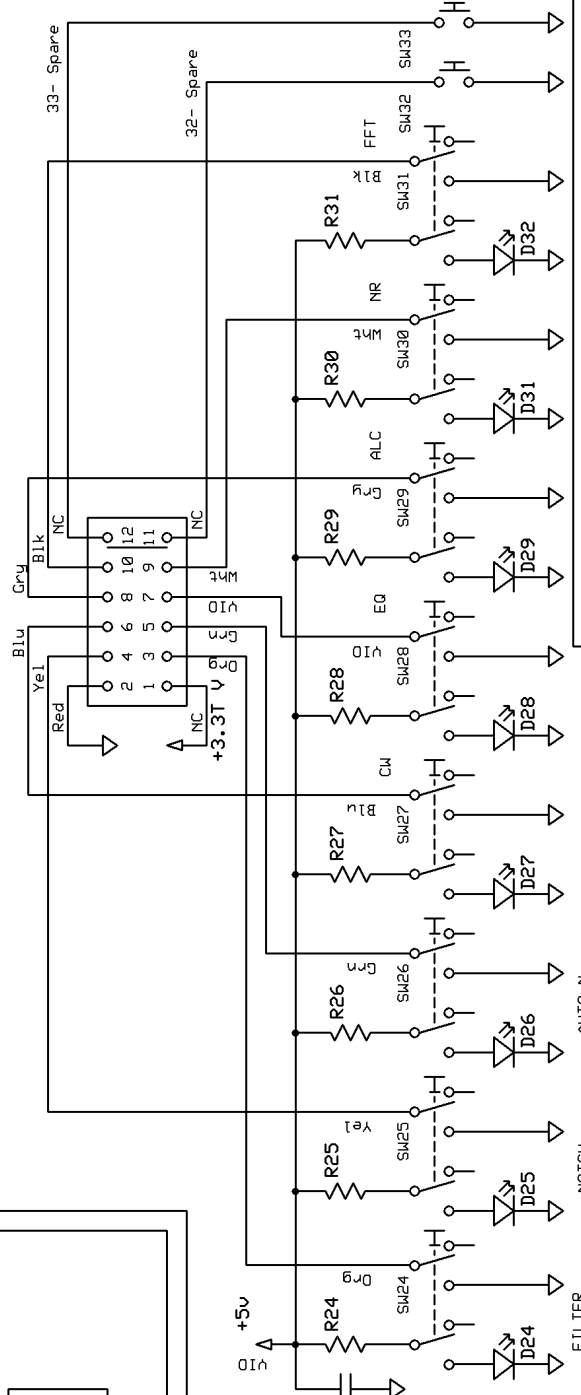


TFT Display Interface
 Adapter Schematic





Wirewrap Wire Extension Board for Teensy 4.0 - Schematic



NOTES:

The board is designed to mount on the 5 end pins of the Teensy 4.0. If stacking headers are used on T4.0, the corners may need to be removed. If the T4.0 side pins protrude through the adapter end holes, there is no need to solder. The board may be mounted vertical or horizontal with appropriate mechanical parts. Solder the #30ga wires to the adapter before mounting on the T4.0. The 5 even # wires should be connected first. [Located under the odd # wires.]

Teensy 4.0 Extension I-O Board

Schematics & Wiring